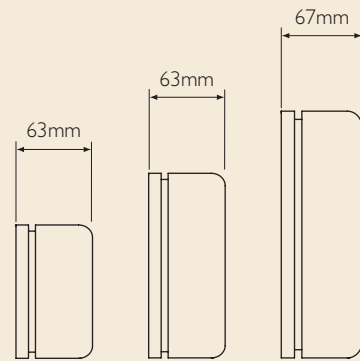
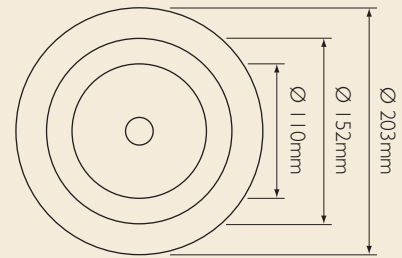


# FIRE

## CF BELL 12 & 24 VOLT MOTORISED



Bells still remain a popular choice for many applications such as schools where they can sometimes be used as a signal for non fire purposes such as class change. All CF bells incorporate highly efficient rotary centrifugal movements combining high sound output with low current consumption.

- 3 GONG SIZES
- HIGH SOUND OUTPUT
- LOW CURRENT CONSUMPTION
- SIMPLE INSTALLATION
- MULTIFIXING BASEPLATE

### Specification

Voltage	110mm (4")	8 - 16Vdc (12Vdc) 18 - 30Vdc (24Vdc)
	150mm (6")	8 - 16Vdc (12Vdc) 18 - 30Vdc (24Vdc)
	200mm (8")	8 - 16Vdc (12Vdc) 18 - 30Vdc (24Vdc)
Current	110mm (4")	100mA (12Vdc) 20mA (24Vdc)
	150mm (6")	100mA (12Vdc) 25mA (24Vdc)
	200mm (8")	110mA (12Vdc) 30mA (24Vdc)
Sound output	110mm (4")	84dB(A)
	150mm (6")	95dB(A)
	200mm (8")	97dB(A)
Monitoring	Reverse polarity	
Temperature	- 10C to + 55C	
Construction	Gong - Steel, Base - Polycarbonate	
Protection	IP42	
Weight	0.45Kg	
Colours	Gong - Red, Base - Black	